

CHANGE

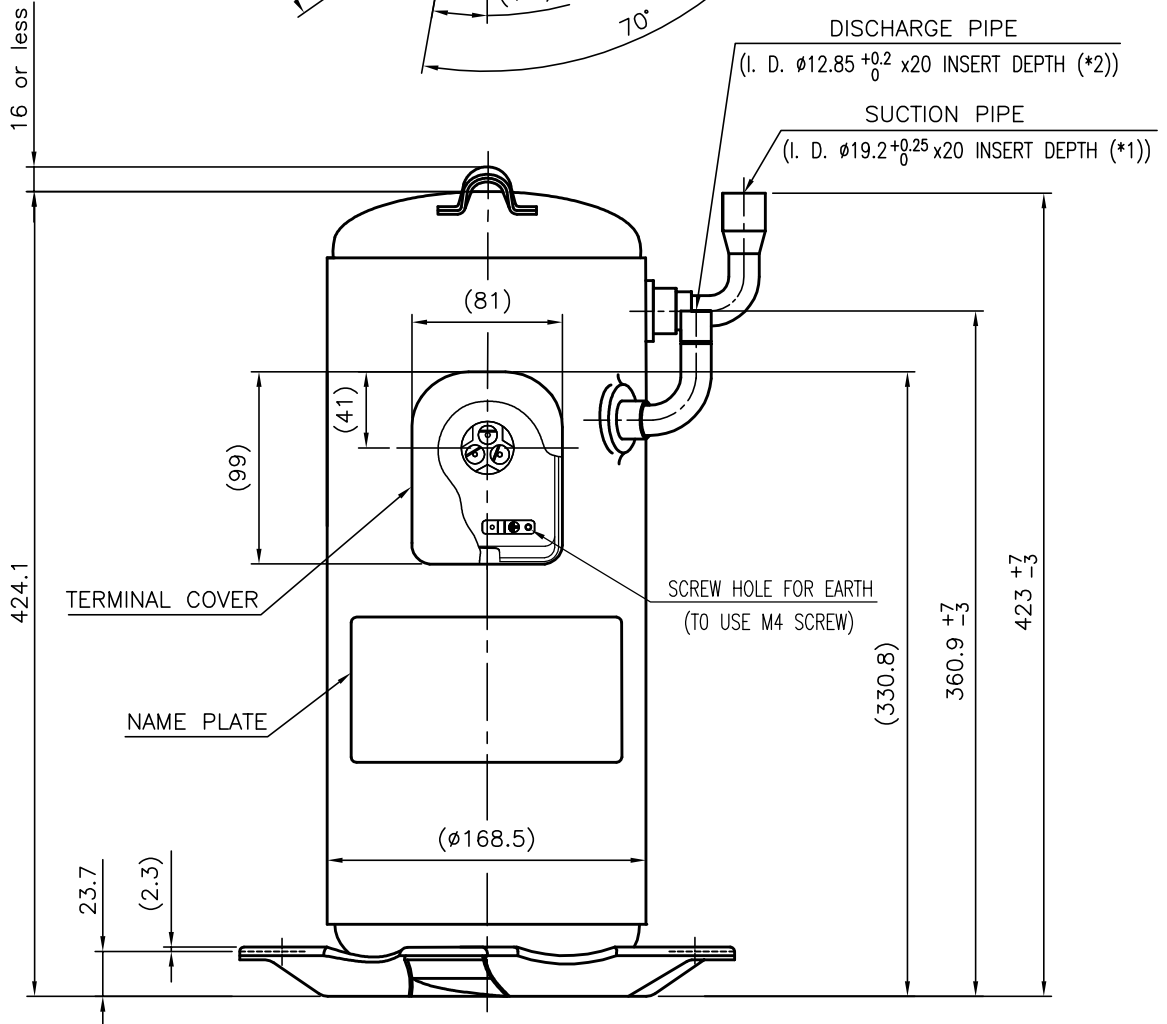
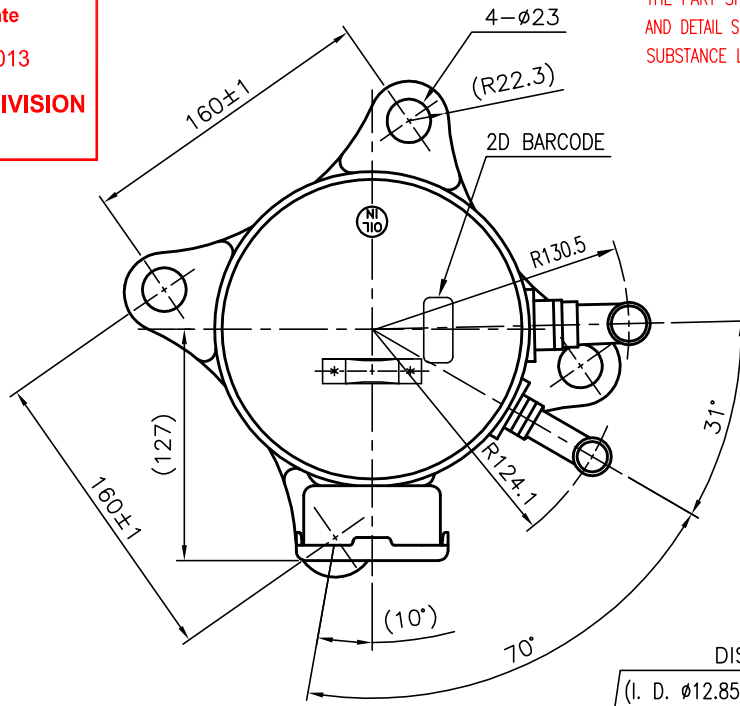
- [A1] (D-4)
A1 WAS 360.9.
- [A2] (D-4)
A2 WAS 423.
12-10-25
I.AMPOL
S.DUMRONGSAK
(NO. NCQ1210218) [A]
- [B1] (A-3)
OIL IN WAS ADDED.
- [B2] (A-3)
B2 WAS R135.
13-08-25
I.AMPOL
S.DUMRONGSAK [B]

CONTROLLED COPY
 Issued Date
 04 DEC 2013
TECHNICAL DIVISION
SCI

SPECIAL NOTE

THE PART SHOULD NOT CONTAIN PROHIBITED SUBSTANCES AND DETAIL SHOULD COMPLY WITH SCI-RoHS & REACH[SVHC] SUBSTANCE LIST. (STD100001)

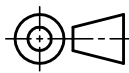
*1 (C-4), *2 (C-4) PART OF UNIT CONNECTION PIPES WERE INSERTED UNTIL THE INSERT DEPTH OF COMPRESSOR PIPES.



ANB SERIES "CF" TYPE

USE FOR MODEL

- S
- R
- T
- P
- N
- A
- B



SIAM COMPRESSOR INDUSTRY
MITSUBISHI ELECTRIC GROUP

DIM. IN mm.

DATE 12-05-18

APPROVED

SCALE

DRAWN S.PIMTICHA, K.NATTHANICHA

S.DUMRONGSAK

NTS

CHECKED C.SUWAT

DESIGNED I.AMPOL

REFERENCE : CS01F529

TITLE

COMPR. OUTLINE DWG.

DWG. No.

SC01F136

1/1