

CHANGE

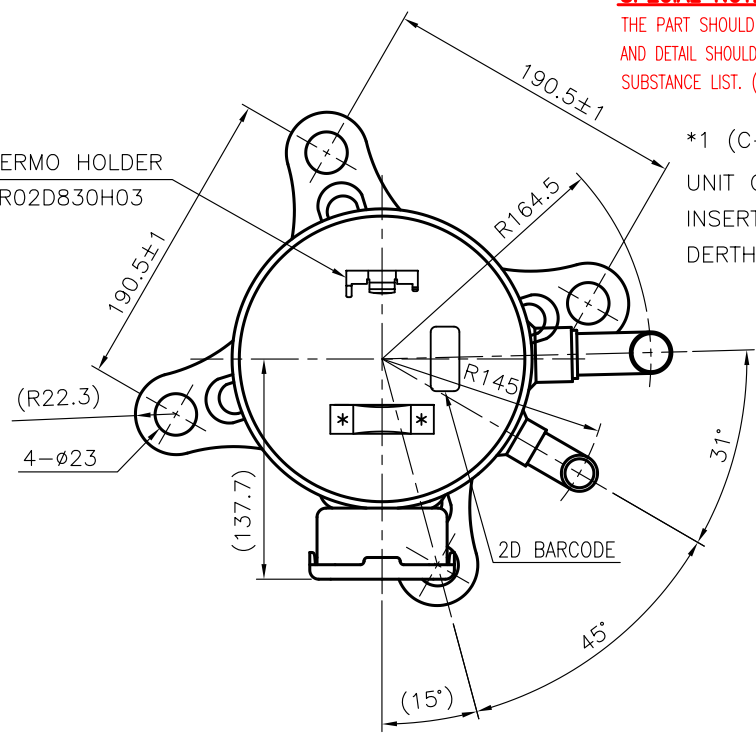
A1 (F-1)
 "EX" TYPE WAS
 ADDED.
 A2 (A-2)
 A2 THERMO HOLDER
 CR02D830H03 WAS
 ADDED.
 11-10-21
 I.AMPOL
 S.DUMRONGSAK

SPECIAL NOTE

THE PART SHOULD NOT CONTAIN PROHIBITED SUBSTANCES
 AND DETAIL SHOULD COMPLY WITH SCI-RoHS & REACH[SVHC]
 SUBSTANCE LIST. (STD100001)

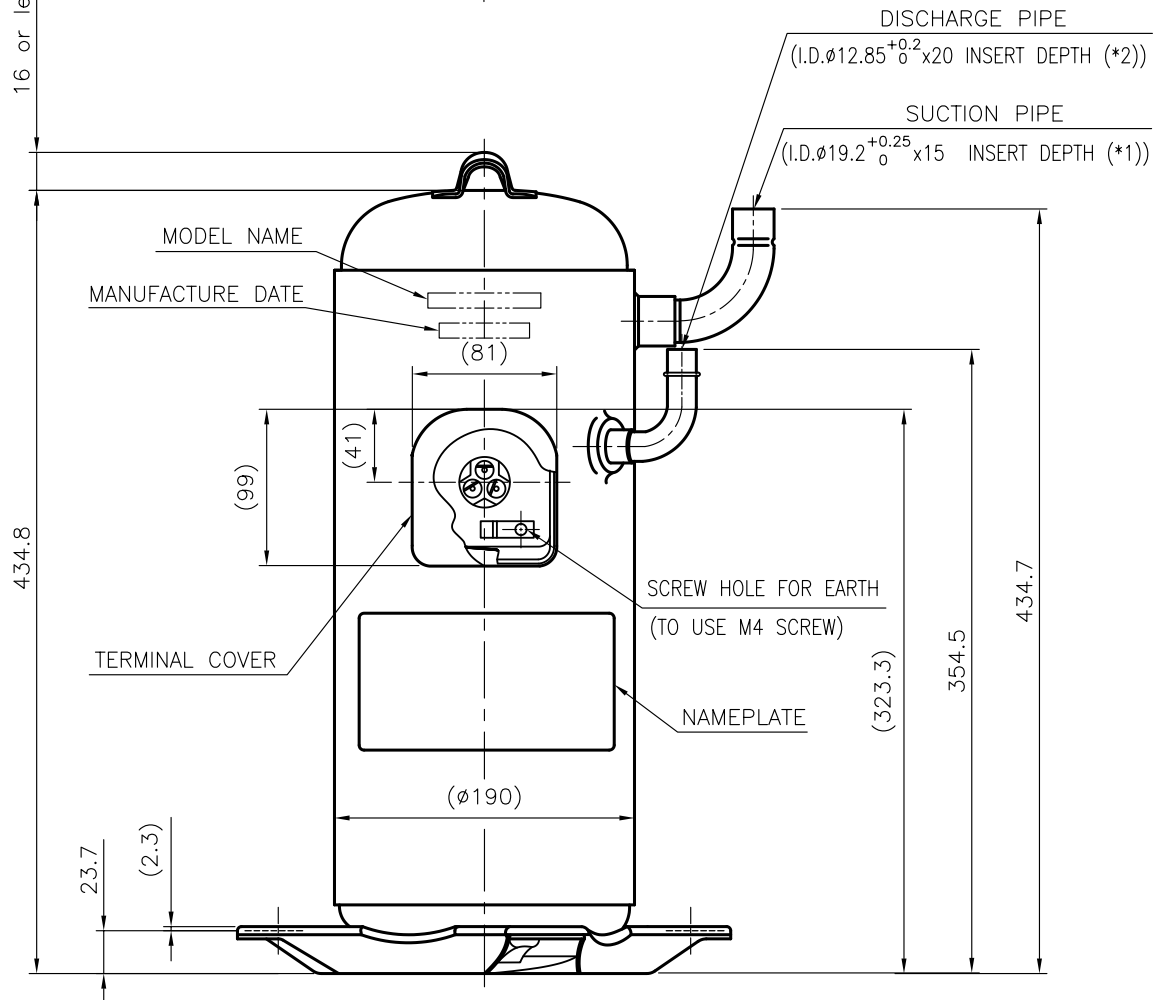
*1 (C-4), *2 (C-4) PART OF
 UNIT CONNECTION PIPES WERE
 INSERTED UNTIL THE INSERT
 DERTH OF COMPRESSOR PIPES.

THERMO HOLDER
 CR02D830H03



CONTROLLED COPY
 Issued Date
 13 FEB 2012
 TECHNICAL DIVISION
 SCI

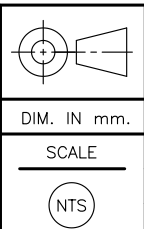
16 or less



BN SERIES "EA", "EX" TYPE

USE FOR MODEL

<input type="checkbox"/>	S
<input type="checkbox"/>	R
<input type="checkbox"/>	T
<input type="checkbox"/>	P
<input type="checkbox"/>	N
<input type="checkbox"/>	A
<input checked="" type="checkbox"/>	B



SIAM COMPRESSOR INDUSTRY MITSUBISHI ELECTRIC GROUP		DATE		11-09-05	APPROVED
		SCALE		DRAWN	N.TIDAPORN, K.NATTHANICHA
CHECKED		C.SUWAT			
DESIGNED		I.AMPOL			

REFERENCE : CS01F560	
TITLE	
COMPR. OUTLINE DWG.	
DWG. No.	SC01F112
	1/1