

SPECIFICATIONS for LANHAI HERMETIC COMPRESSOR

R22

QXR-19E

1PH, 220V – 50Hz

Application Range

Compressor Cooling	Natural	
Eva. Temp. Range	-10°C ~ 12°C	14°F ~ 54°F
Condensing Temp.	65°C max.	149°F max.
Return Gas Temp.	35°C max.	95°F max.
Discharge gas Temp.	115°C max.	239°F max.
Motor Wire Temp.	130°C max.	266°F max.

Rated Performance

Capacity	10914 Btu/3210 W
Motor Input	1100 W
Current	5.1 A
COP	2.918 W/W

Compressor Data

Design	Rolling Piston Typed Rotary
Displacement	19.3 cc/rev
Oil / Oil Charge	SUNISO 4GSI / 370ml
Weight	12.4 Kg

Motor Data

Motor Type	2 Pole Induction (PSC)
Rated Output	980 W
Winding Resistance (at 25°C)	Main 2.823 Ω Sub 4.320 Ω
Voltage Range	198 V to 242 V
Locked Rotor Amps.	24.0 A

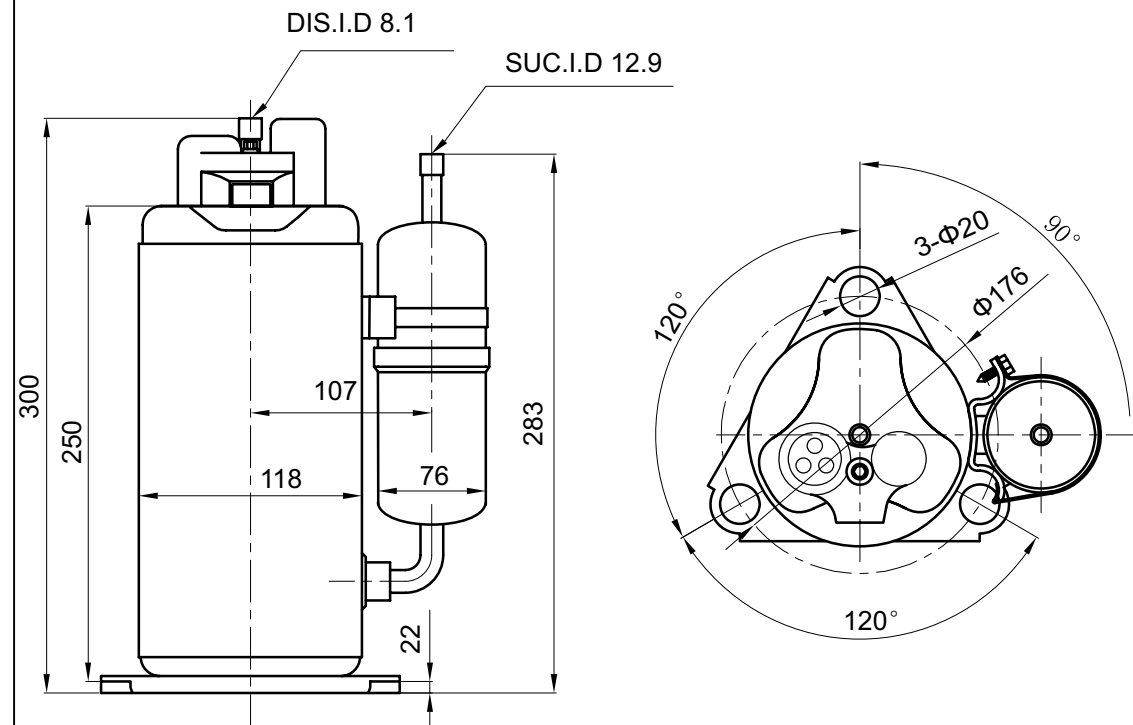
Electrical Components

Running Capacitor	30 μF 450 VAC
Overload Protector	External Type B190-140

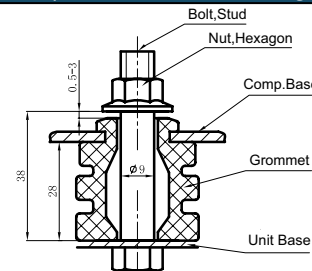
Capacity Test Conditions

Evaporating Temp.	7.2°C	45°F
Condensing Temp.	54.4°C	130°F
Return Gas Temp.	35.0°C	95°F
Liquid Temp.	46.1°C	115°F
Ambient Temp.	35.0°C	95°F

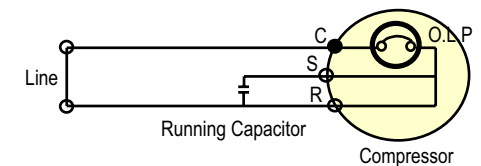
Standard Dimensions(MM)



Compressor Mounting



Wiring Diagram



※ C.S.R mark is embossed on a Cover Terminal

Specifications are subject to change without notice.
Normal Performance value $\pm 5\%$.

Lanhai Compressor Co., Ltd * Shuguang Road, Light Industrial District, Lanxi, Zhejiang, CHINA, 321100
* Phone: +86-579-8948507 Fax: +86-579-8948506* Email: sales@lanhaicomp.com *http://www.lanhaicomp.com