



# Tecumseh

Compressor  
Voltage Code : T

## TFH4540F

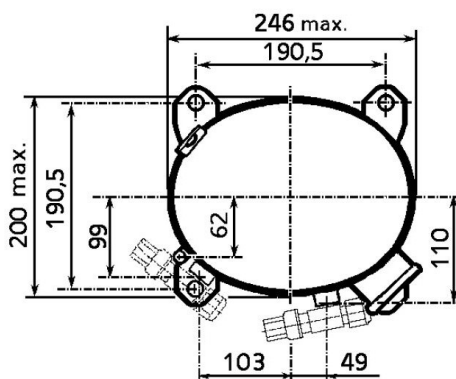
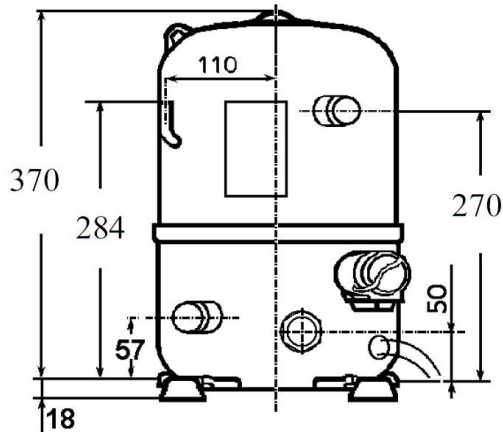
High Temp. Commercial (HP)

400V 3~ 50Hz / 440V 3~ 60 Hz

R22

AHC4540ETZ

Conditions	Frequency	Nominal Cooling Capacity		Sound Power ISO3745 / ISO 3743-1
		Watts	BTU/h	
EN12900 / R22	50 Hz / 60 Hz	9226 / 10866	31460 / 37053	75 dBA



\* EN12900 : T°Cond. 50.0°C / T°Evap. 5.0°C / T°Return gas temp.. 20.0°C  
T°Subcooling. 0.0K

Certificates :

Displacement (cc)	74.25
Net Weight (Kg)	33.0
Oil Quantity (cc)	1330.0
Oil Type	Mineral
Expansion Device	Capillary_Tube/Expansion_Valve
Cooling	Fan
Main Winding (Ohm)	4.3
<b>Current</b>	
RLA (A)	6.08   6.56
MCC (A)	8.4   8.71
LRA (A)	36   39
Electrical Equipment	TRI
Overload	Interne
<b>Refrigerating connection for OD</b>	
Suction Tube	22.2 (7/8")
Discharge Tube	12.7 (1/2")
Process Tube	6.35 (1/4")

Note : Tecumseh reserves the right to change information contained in this document without notification.



**Tecumseh**

<b>TFH4540F</b>	<b>Tension T : 400V 3~ 50Hz / 440V 3~ 60 Hz</b>
-----------------	---

Les performances sont données dans les <b>conditions EN12900</b> :	Gaz aspirés :	20.0 °C
Condition Dew	Sous refroidissement :	0.0 K
The performance data are in <b>EN12900 conditions</b> :	Return gas :	20.0 °C
Dew Condition	Subcooling :	0.0 K

### 50 Hz R22

**N°236LU-T**

4   T condensation	5   T évaporation	(°C)	-20	-15	-10	-5	0	5	10	15
<b>40</b>	1   P frigorifique	(Watt)	2764	4153	5666	7298	9044	10902	12864	14928
	2   P absorbée	(W)	1950	2200	2454	2710	2969	3230	3495	3763
	3   I absorbée	(A)	3.97	4.29	4.62	4.95	5.28	5.61	5.93	6.26
<b>50</b>	1   P frigorifique	(Watt)	2135	3332	4644	6067	7596	9226	10950	12764
	2   P absorbée	(W)	1836	2179	2522	2865	3207	3548	3889	4229
	3   I absorbée	(A)	3.74	4.20	4.66	5.12	5.58	6.04	6.51	6.97
<b>60</b>	1   P frigorifique	(Watt)		2459	3589	4821	6149	7569	9073	10654
	2   P absorbée	(W)		2156	2590	3020	3447	3869	4287	4701
	3   I absorbée	(A)		4.12	4.70	5.29	5.89	6.48	7.09	7.69

### 60 Hz R22

**N°236LU-T**

4   T condensation	5   T évaporation	(°C)	-20	-15	-10	-5	0	5	10	15
<b>40</b>	1   P frigorifique	(Watt)	3297	4987	6791	8704	10722	12840	15053	17357
	2   P absorbée	(W)	2743	2943	3171	3428	3713	4028	4371	4743
	3   I absorbée	(A)	4.32	4.56	4.83	5.14	5.50	5.89	6.32	6.80
<b>50</b>	1   P frigorifique	(Watt)	2542	4001	5567	7237	9005	10866	12814	14843
	2   P absorbée	(W)	2597	2915	3257	3623	4012	4425	4862	5322
	3   I absorbée	(A)	4.09	4.45	4.86	5.31	5.81	6.35	6.94	7.57
<b>60</b>	1   P frigorifique	(Watt)		2952	4303	5751	7290	8915	10618	12393
	2   P absorbée	(W)		2885	3343	3818	4313	4826	5357	5907
	3   I absorbée	(A)		4.37	4.91	5.49	6.13	6.82	7.55	8.33

1 = cooling capacity 2 = power input 3 = current 4 = condensing temperature 5 = evaporating temperature

**Nota : Tecumseh se réserve le droit de modifier les informations contenues dans ce document sans préavis.**

**Note : Tecumseh reserves the right to change information contained in this document without notification.**

© 2018 Tecumseh Products Company  
All rights reserved