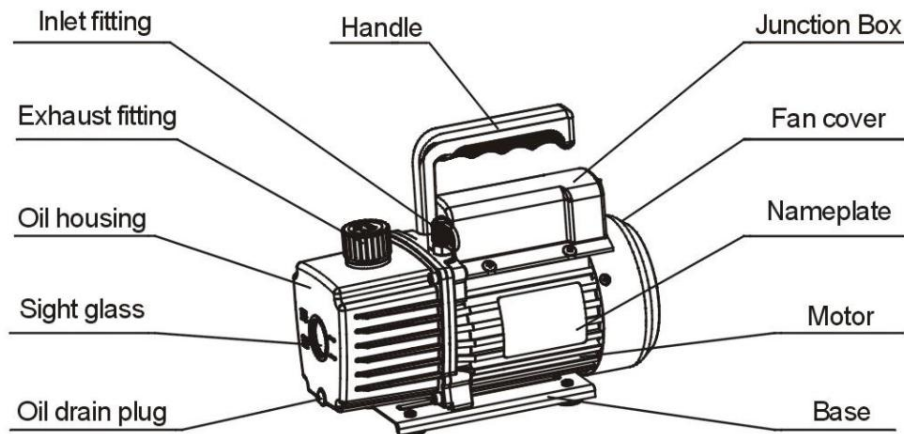


XZ-1B & XZ-1.5B Rotary vane type vacuum pump

一、 Picture



Pump components



二、 Product Application

Our goods is mainly applied in many fields, such as refrigeration maintain, printing machine, medical equipment, vacuum packing, gas analyze and thermoplastic molding etc...

三、 INSTRUCTIONS

1. Before using your vacuum pump

(1) Check to be sure the voltage and frequency at the outlet match the specifications on the pump motor decal. Check the ON-OFF switch to be sure it is in the OFF position before you plug the pump into an outlet. Remove and discard the exhaust cap from the end of the pump's handle.

(2) The pump is shipped without oil in the reservoir. Before starting the pump, fill it with oil. Remove the Exhaust FITTING cap and add oil just shows in the bottom of the sight glass. The approximate oil capacity of the pump is 160ml.

Note: When the pump is running, the oil level should be even with the line on the sight glass. Under filling will result in poor vacuum performance. Over filling can result in oil blowing from the exhaust.

Note: When the pump is running, the oil level should be even with the line on the sight glass. Under filling will result in poor vacuum performance. Over filling can result in oil blowing from the exhaust.

2. To shut down your pump after use

To help prolong pump life and promote easy starting. Follow these procedures for shutdown.

(1) Close the manifold valve between the pump and the system.

(2) Remove the hose from the pump inlet.

(3) Cap the inlet port to prevent any contamination or loose particles from entering the port.

四、 Product Characteristics

- 1. High performance
- 2. Lighter and smaller
- 3. Low noise

五、 Technical data

Model	XZ-1B	XZ-1.5B
Pump Design	Single Stage	
Voltage	220V50Hz	
Flow Rate	1.8 CFM	2.5 CFM
Ultimate Vacuum	225 micron	
	3 Pa	
Motor Power	150W 1/5HP	180W 1/4HP
Inlet Port	1/4"SAE	
Oil Capacity	160 ml	
Working temperature	5 to 40 °C	
Dimensions (L x W x H)	255 x105 x 205mm	
Weight	4.2Kg	4.5Kg
插头	欧式插头	

六、Package

