

Technical Data Sheet

Compressor model **GS26TB_T**
 Voltage **220-240V 50Hz ~1**
 Refrigerant **R134a**

APPLICATION

COMPRESSOR

MOTOR

Application	High-Medium Back Pressure	Displacement	25,93 cm ³	Nominal Power	3/4 hp
Refrigerant	R134a	Diameter	39,98 mm	Voltage/Frequency	220-240V 50Hz
Evaporating Temp.	-25,0 °C to 10,0 °C	Stroke	20,65 mm	Voltage range	187-255 V
Expansion	Capillar/Valve	Net Weight	22,25 Kg	Type	CSIR
Comp. Cooling	Fan cooled	Oil type	ISO VG 32 ESTER	Phase number	1 PH
Max. ambient temp.	43,0 °C	Oil charge	700 cm ³	Locked Rotor Amps (LRA)	32,00 A
Compatible refriger.	R1234yf			Max. Cont. Current (MCC)	8,70 A
				Main W. resist. at 25°C	2,39 Ω
				Start W. resist. at 25°C	16,00 Ω

NOMINAL PERFORMANCE

	ASHRAE	CECOMAF
Cooling Capacity	2.140 kCal/h	2.070 W
COP	2,42 W/W	2,08 W/W
EER	2,08 kCal/Wh	1,80 kCal/Wh
Input Power	1.030 W	996 W
Current	6,30 A	6,15 A

APPROVALS



TEST CYCLE CONDITIONS

	ASHRAE HMBP (D)	CECOMAF HMBP (C)
Evaporating temp. (T _e)	7,2 °C	5,0 °C
Condensing temp. (T _c)	55,0 °C	55,0 °C
Liquid temp. (T _{liq.})	46,0 °C	55,0 °C
Ambient temp. (T _{amb.})	35,0 °C	32,0 °C
Suction temp. (T _{suction})	35,0 °C	32,0 °C
Voltage/Frequency	220 V 50 Hz	220 V 50 Hz

ELECTRICAL COMPONENTS

	Option 1	Option 2		
Starting capacitor	88-108 µF 330 V			
Relay	Option 1	Option 2		
Reference	3ARR3 3AV3	RVA 2L..		
Pick-Up	224-252 V	224-252 V		
Drop-Out	40-90 V	40-105 V		
Protector	Option 1	Option 2		
Reference	MRA38152	T0260		
Current	27,50 A	22,00 A		
Time check	2,8-5,2 seg	7,5-14 seg		
Disc temp. (Open/Close)	105,00 / 52,00 °C	105,00 / 52,00 °C		

ASHRAE

Tc °C	Te °C	Cooling Capacity kCal/h	Consumption W	Current A	COP W/W	EER kCal/Wh
40	-25	450	420	4,17	1,25	1,07
40	-20	694	493	4,36	1,64	1,41
40	-15	976	564	4,57	2,01	1,73
40	-10	1.298	632	4,78	2,39	2,05
40	-5	1.658	698	4,99	2,76	2,37
40	0	2.057	762	5,22	3,14	2,70
40	5	2.495	824	5,45	3,52	3,03
40	7,2	2.700	850	5,55	3,69	3,18
40	10	2.972	883	5,68	3,91	3,37

45	-25	383	410	4,15	1,09	0,93
45	-20	608	494	4,37	1,43	1,23
45	-15	872	575	4,60	1,76	1,52
45	-10	1.175	655	4,85	2,09	1,79
45	-5	1.517	732	5,11	2,41	2,07
45	0	1.897	806	5,38	2,74	2,35
45	5	2.317	879	5,66	3,07	2,64
45	7,2	2.513	910	5,79	3,21	2,76
45	10	2.775	949	5,95	3,40	2,92

50	-25	317	400	4,12	0,92	0,79
50	-20	523	495	4,37	1,23	1,06
50	-15	768	587	4,64	1,52	1,31
50	-10	1.053	677	4,92	1,81	1,55
50	-5	1.376	765	5,23	2,09	1,80
50	0	1.737	851	5,55	2,37	2,04
50	5	2.138	934	5,89	2,66	2,29
50	7,2	2.327	970	6,04	2,79	2,40
50	10	2.578	1.015	6,23	2,95	2,54

55	-25	250	390	4,10	0,75	0,64
55	-20	438	496	4,37	1,03	0,88
55	-15	664	599	4,67	1,29	1,11
55	-10	930	700	5,00	1,55	1,33
55	-5	1.234	799	5,35	1,80	1,55
55	0	1.578	895	5,73	2,05	1,76
55	5	1.960	989	6,12	2,30	1,98
55	7,2	2.140	1.030	6,30	2,42	2,08
55	10	2.380	1.081	6,53	2,56	2,20

60	-25	183	380	4,08	0,56	0,48
60	-20	353	497	4,37	0,83	0,71
60	-15	561	611	4,71	1,07	0,92
60	-10	807	723	5,08	1,30	1,12
60	-5	1.093	832	5,48	1,53	1,31
60	0	1.418	940	5,91	1,76	1,51
60	5	1.781	1.045	6,37	1,98	1,71
60	7,2	1.953	1.090	6,57	2,08	1,79
60	10	2.183	1.147	6,85	2,21	1,90

65	-25	117	370	4,05	0,37	0,32
65	-20	267	497	4,38	0,62	0,54
65	-15	457	622	4,75	0,85	0,73
65	-10	685	745	5,16	1,07	0,92
65	-5	952	866	5,61	1,28	1,10
65	0	1.258	984	6,10	1,49	1,28
65	5	1.603	1.100	6,62	1,69	1,46
65	7,2	1.767	1.150	6,86	1,79	1,54
65	10	1.986	1.213	7,17	1,90	1,64

CECOMAF

Tc °C	Te °C	Cooling Capacity W	Consumption W	Current A	COP W/W	EER kCal/Wh
40	-25	485	422	4,18	1,15	0,99
40	-20	750	496	4,37	1,51	1,31
40	-15	1.055	567	4,58	1,86	1,61
40	-10	1.402	636	4,79	2,21	1,91
40	-5	1.789	702	5,01	2,55	2,20
40	0	2.217	767	5,23	2,89	2,50
40	5	2.686	829	5,47	3,24	2,80
40	7,2	2.906	855	5,57	3,40	2,93
40	10	3.196	889	5,70	3,60	3,11

45	-25	411	412	4,15	1,00	0,86
45	-20	654	497	4,37	1,32	1,14
45	-15	938	579	4,61	1,62	1,40
45	-10	1.262	658	4,86	1,92	1,66
45	-5	1.628	736	5,12	2,21	1,91
45	0	2.034	811	5,40	2,51	2,17
45	5	2.481	884	5,68	2,81	2,42
45	7,2	2.690	916	5,81	2,94	2,54
45	10	2.969	955	5,97	3,11	2,69

50	-25	338	402	4,13	0,84	0,73
50	-20	559	497	4,38	1,12	0,97
50	-15	820	590	4,65	1,39	1,20
50	-10	1.123	681	4,94	1,65	1,42
50	-5	1.466	770	5,25	1,90	1,65
50	0	1.850	856	5,57	2,16	1,87
50	5	2.275	940	5,91	2,42	2,09
50	7,2	2.475	976	6,06	2,54	2,19
50	10	2.741	1.022	6,26	2,68	2,32

55	-25	265	392	4,10	0,67	0,58
55	-20	463	498	4,38	0,93	0,80
55	-15	703	602	4,68	1,17	1,01
55	-10	984	704	5,01	1,40	1,21
55	-5	1.305	803	5,37	1,62	1,40
55	0	1.667	901	5,75	1,85	1,60
55	5	2.070	996	6,15	2,08	1,80
55	7,2	2.260	1.037	6,33	2,18	1,88
55	10	2.514	1.088	6,57	2,31	2,00

60	-25	191	382	4,08	0,50	0,43
60	-20	368	499	4,38	0,74	0,64
60	-15	586	614	4,72	0,95	0,82
60	-10	844	727	5,09	1,16	1,00
60	-5	1.143	837	5,50	1,37	1,18
60	0	1.484	945	5,93	1,57	1,36
60	5	1.864	1.051	6,40	1,77	1,53
60	7,2	2.045	1.097	6,61	1,86	1,61
60	10	2.286	1.155	6,88	1,98	1,71

65	-25	118	372	4,06	0,32	0,27
65	-20	273	500	4,38	0,55	0,47
65	-15	468	626	4,76	0,75	0,65
65	-10	705	749	5,17	0,94	0,81
65	-5	982	871	5,63	1,13	0,97
65	0	1.300	990	6,12	1,31	1,13
65	5	1.659	1.107	6,65	1,50	1,30
65	7,2	1.830	1.157	6,90	1,58	1,37
65	10	2.059	1.221	7,22	1,69	1,46

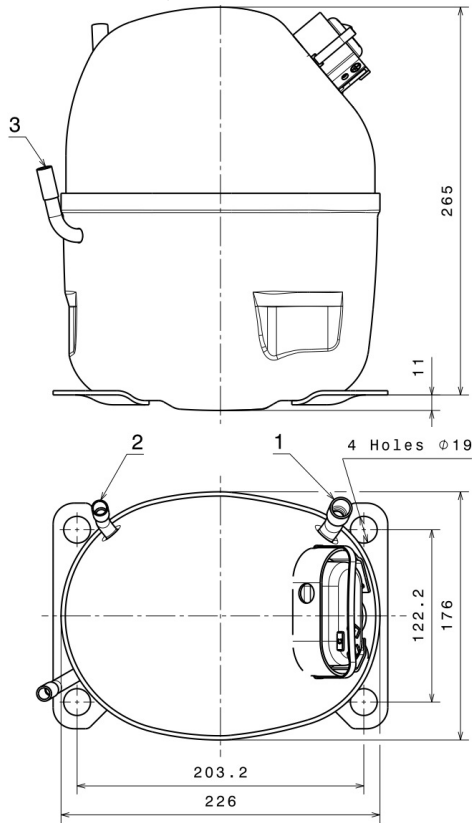
EN12900

X	Cooling Capacity (W)	Consumption (W)	Current (A)	Mass Flow (kg/h)
1	3.689,4992082471	419,3261486330	3,6296917659	64,554665826614
2	125,2607329633	-4,7808665620	-0,0172968695	2,3376524802341
3	-37,5120222629	9,1802488065	0,0401909617	-0,39363844196139
4	0,8034659841	-0,0400052005	0,0005521004	0,023544868927309
5	-0,9167762306	0,4494250822	0,0018120429	-0,0053891711914171

Equation	$x_1 + x_2Te + x_3Tc + x_4Te^2 + x_5TeTc$
----------	---

Technical Data Sheet

COMPRESSOR DIMENSIONS

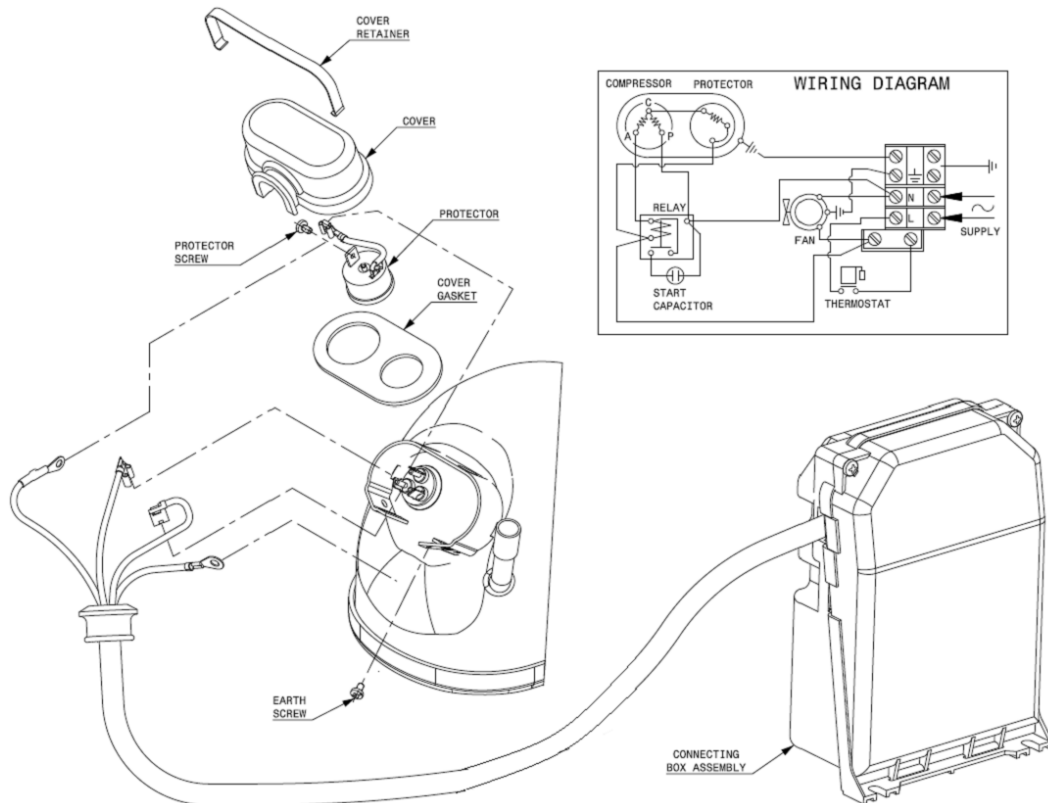


DESIGNATION INTERNAL DIAM.

DESIGNATION	INTERNAL DIAM.
1 Suction	12,7 mm
2 Service	9,7 mm
3 Discharge	8,0 mm

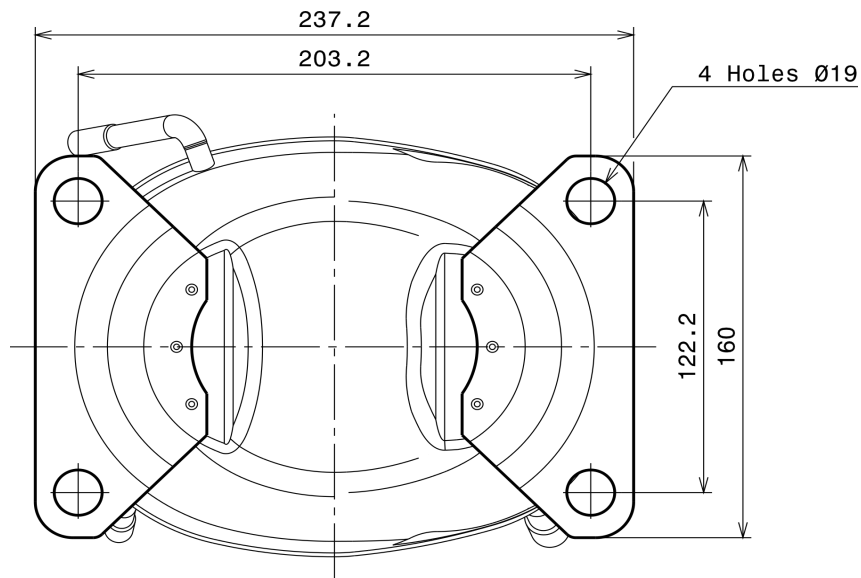
WIRING DIAGRAMS AND ELECTRICAL ASSEMBLY

CSIR CONNECTION (EXTERNAL CONNECTING BOX) (NS Range)



Technical Data Sheet

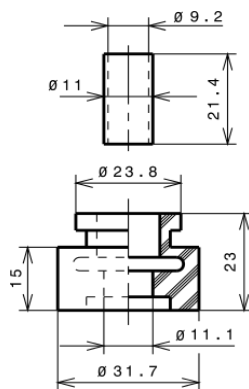
FIXINGS



SILENT BLOCKS (MOUNTING ACCESSORIES)

STANDARD

$\varnothing 19$ holes (203.2x122.2 net)



SOA

SOA R134a HMBP

