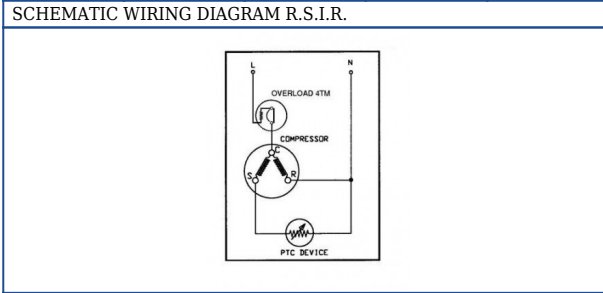


A: 176 B: 272 C: 155 D: 165 E: 102



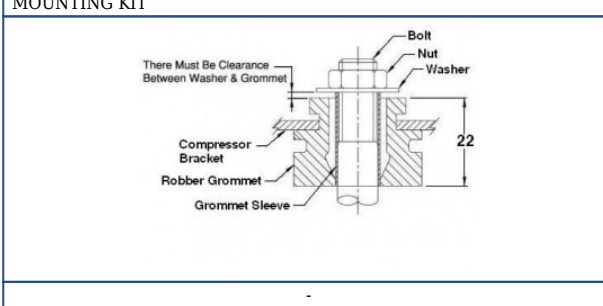
-

SCHEMATIC WIRING DIAGRAM -

-

-

MOUNTING KIT



-

Electrical : 220-240 V/ 50 Hz., - V/ - Hz. 1 Phase - HP

Nominal Performance

Capacity	185 / - Watts
	631 / - BTU/Hr
	159 / - Kcal/Hr
Power Input	138 / - Watts
Locked Rotor Amps	8.00 / - Amps
Max Continuous Current	- / - Amps
Rated Load Amps	1.00 / - Amps
COP	1.34 / - Watts / Watts
EER	4.57 / - BTU/W-Hr

Testing Conditions

Condensing Temperature	54.40 °C	129.90 °F
Evaporating Temperature	-23.30 / - °C	-9.90 / - °F
Liquid Temperature	32.20 °C	90.00 °F
Return Gas Temperature	32.20 °C	90.00 °F
Ambient Temperature	32.20 °C	90.00 °F

Application

Evaporating Temp. Range	LBP	@ -34.40 °C to -12.20 °C (-29.90 F to 10.00 °F)
	Heat Pump	- °C to - °C (- °F to - °F)

Refrigerant	R134a
Refrigerant Flow Control	Capillary Tube
Compressor Cooling	Natural Convection

Compressor and Motor data

Compressor Type	Reciprocating
Displacement	6.74 cc.
Oil Type	Polyolester Oil
Oil Charge	300 cc.
Motor Type	R.S.I.R. ;2 Pole 2850 / - r/m
Voltage Range	187-264/- Volts 50/- Hz.
Winding Resistance at 25 ° C	
Start	28.30 Ohms
Run	14.20 Ohms
Weight with Oil	9.25 Kg.
Weight with Oil and Accessories	9.43 Kg.

Electrical Components

Motor Protector	
Type	External 5TM
Model Number	KME 670-26
Open / Close	105-115 / 70-52 ° C
1st Cycle trip at 25 ° C	- Amps(main) - Amps(start)
Motor Starter	
Type	PTC Relay
Model Number	4043KME693-4
Pick Up (max.)	- Volts
Drop Out (min.)	- Volts
Terminal Cover	4040KMD902-2
Start Capacitor	- µF - VAC.
Disch Resistor for Start Cap	
Run Capacitor	- µF - VAC.

Mounting Kit

Rubber Grommet	4007KMD905-3
Sleeve Grommet	3KMD903-2-Z
Washer	4023KEB387

Since we are constantly improving our product , the specification are subject to change without notice.

REV. DATE 25-06-2012 C / N No. 0315/12

Certificate Marks

